

## Discontinued 06/2023.

### LLBRK-LED6ICN GIMBAL

6" Direct Wire Gimbal Recessed downlight retrofit solution with integrated LED power supply and thermal management system combined in a single compact unit with integrated junction for direct ceiling installation.

**Construction:** Thermoplastic Construction

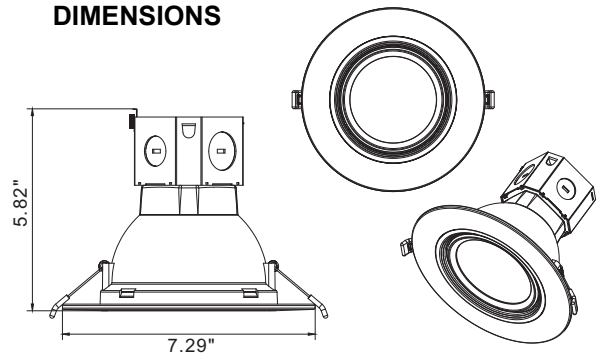
**See Ordering Section for Performance Notes and Energy Star Certifications.**

**Notes/Certifications/Warranty:**

- 120V
- Power Consumption: 11W
- CRI: 80
- No recessed can required - suitable for both new construction and retrofit
- Minimal tools required for installation.
- Direct wire to attached Junction Box.
- Suitable for use in ICAT, AT, and Non-IC applications.
- Dimming: 10% with most dimmers.
- Tested in accordance with IESNA LM79 & LM80
- ETL Listed for Damp Locations
- Passes FCC Class B
- ROHS Compliant
- Energy Star Qualified
- Five Year warranty



**DIMENSIONS**



**ORDERING INFORMATION**

PART #	NOTES
LLBRK-LED6ICN-GR-11W-27K-ECO	120V/11W/900lms Del@27K/80CRI ESTAR
LLBRK-LED6ICN-GR-11W-30K-ECO	120V/11W/900lms Del@30K/80CRI ESTAR
LLBRK-LED6ICN-GR-11W-35K-ECO	120V/11W/900lms Del@35K/80CRI ESTAR
LLBRK-LED6ICN-GR-11W-40K-ECO	120V/11W/900lms Del@40K/80CRI ESTAR
LLBRK-LED6ICN-GR-11W-50K-ECO	120V/11W/900lms Del@50K/80CRI ESTAR